

Industrial Signalling



klaxon[®]

Introduction



Introduction

Klaxon Signals manufactures the world's largest range of sound signalling equipment and solutions for the European and worldwide market place.

Product Range

Klaxon's extensive product range includes: electronic sounders; voice enhanced sounders; sirens; beacons; bells; and buzzers. These products can be used in a variety of applications and are categorised within Klaxon's internal strategic business units: Fire; Industrial; Emergency Warning Systems. This brochure features products for industrial signalling applications.

Worldwide Distribution Network

Klaxon's distribution network gives the benefit of experienced staff, both on a global and local basis, and are fully conversant with Klaxon's visual and sound signalling equipment.

Commitment to quality and innovation

Working to ISO 9001, Klaxon's manufacturing team has the latest production, testing and demonstration facilities, including PCB design and anechoic chambers to ensure the highest possible standards of manufacture and product quality. A continued product development programme, complemented by rigorous quality checks, gives customers the most up to date product offering available in today's market.

Product Approvals

Legislation plays a key part in keeping sounders and safety systems up to date. For example, the Construction Products Directive (CPD) requires that fire system components sold in Europe have to comply with the relevant part of EN54.

“ Klaxon Signals is dedicated to continual third party testing and certification both in home and export markets. ”

Technical Manager

Klaxon Signals works alongside partner organisations and customers to ensure its products, and the installation of its products, are in line with LPCB, ISO9001, EN54, BS5839 and DDA requirements. Any organisation or individual wishing to discuss its, or Klaxon's, obligations regarding new legislation may contact Klaxon's technical team directly or visit www.klaxonsignals.com





Contents

Sounders **Page 4**

Beacons **Page 9**

Sounder Beacons **Page 14**

Voice Sounders **Page 23**

Hazardous Area Equipment **Page 29**

Motor Driven Sirens **Page 35**

Hand Operated Sirens **Page 41**

Sounders



Sounders

Range of sound outputs for various audible warning applications.

Sonos Sounder (DC)

A general purpose electronic sounder. Features the TimeSaver base where connections are made to the base during the initial wiring phase which results in faster and more reliable installation. The sounder head 'twists and clicks' into the base on commissioning, avoiding the wiring and connection problems associated with traditional sounders.

Deep base units have weatherproof protection to IP65 and can be used in all locations both indoors and outdoors.

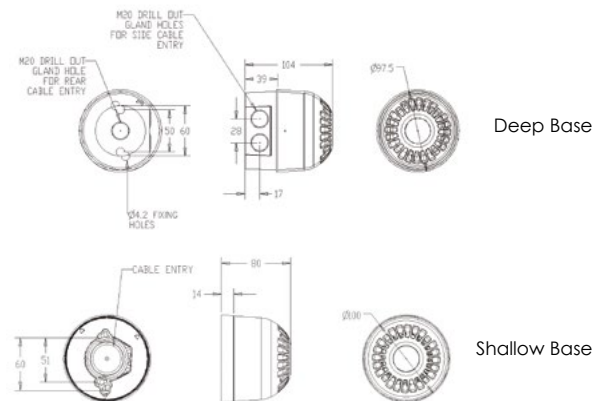
Sonos Sounder units are available in either red or white and with a choice of deep or shallow TimeSaver bases.

Features

- Wide voltage range
- Simple 'First Fix' installation
- 2 alarm stages
- 32 tones
- Tone and volume can be preset or adjusted off-base
- Weatherproof to IP65 (deep base units)
- Synchronised alarm tones
- Volume control - Typical 8dB



Applications - Fire; security; industrial alarm



Specifications

| Combined Part No. | Base Part No. | Head Part No. | Colours | Audibility at 1m | Tones | Voltage | Current (tone dependent) |
|-------------------|-----------------------|---------------|---------|------------------|-------|----------|--------------------------|
| PSS-0003 | PSO-0001 shallow base | PSS-0084 | Red | Up to 106dB (A) | 32 | 9-60V DC | 4-41mA |
| PSS-0039 | PSO-0006 shallow base | PSS-0089 | White | Up to 106dB (A) | 32 | 9-60V DC | 4-41mA |
| PSS-0020 | PSO-0003 deep base | PSS-0084 | Red | Up to 106dB (A) | 32 | 9-60V DC | 4-41mA |
| PSS-0050 | PSO-0007 deep base | PSS-0089 | White | Up to 106dB (A) | 32 | 9-60V DC | 4-41mA |

IP Rating: IP65 (deep base) IP21 (shallow base) **Operating Temp:** -25°C to +70°C **Construction:** Flame Retardant Polycarbonate

Cable Entries: Deep Base: 2 x 20mm cable glands **Weight:** 0.22kg (shallow base) 0.25kg (deep base)

Compliance: EN54 3 Type A (shallow base) EN54-3 Type B (deep base)

Sounders

Sonos Sounder (AC)

A general purpose AC electronic sounder for industrial applications.

With a choice of 32 tones including all the major European standards, Sonos is suitable for use across Europe.

Sonos AC sounders are weatherproof to IP65 and can be used in all locations both indoors and outdoors.

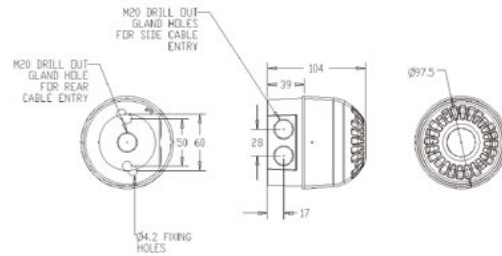
Sonos sounder units are available in either red or white.

Features

- Dual Voltage 110V AC or 230V AC
- Up to 102 dB (A) @ 1 metre
- Weatherproof to IP65
- Synchronised alarm tones
- Volume control - 20dB



Applications - Industrial alarm



Specifications

| Part No. | Base | Colours | Audibility at 1m | Tones | Voltage | Current |
|----------|-----------|---------|------------------|-------|-------------|---------|
| PSS-0060 | deep base | Red | Up to 102dB (A) | 32 | 110/230V AC | 80mA |
| PSS-0063 | deep base | White | Up to 102dB (A) | 32 | 110/230V AC | 80mA |

IP Rating: IP65 **Operating Temp:** -25°C to +55°C **Construction:** Flame Retardant Polycarbonate **Cable Entries:** 2 x 20mm cable glands
Weight: 0.25kg **Compliance:** EN60950

Nexus Sounder (DC)

This high output sounder is designed for industrial applications.

Connections are made to the base during the initial wiring phase which results in faster and more reliable installation. In addition, the head is fixed by quarter turn fasteners enabling faster installation and accurate seal compression for weatherproofing.

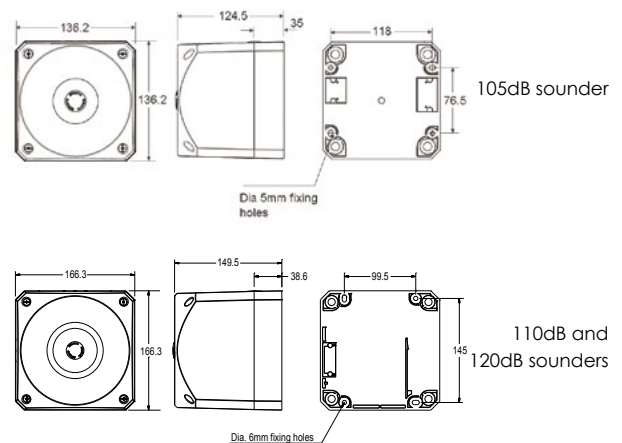
IP66 as standard means that Nexus can be installed in almost any location.

Features

- Three alarm stages
- First-fix, wire to base technology
- IP66 rated
- Volume control for greater flexibility - 20dB
- 64 tones



Applications - Fire alarm; conveyors; process control alarm; cranes; moving machinery; general signalling



Specifications

| Part No. | Description | Audibility at 1m | Tones | Voltage | Current (tone dependent) |
|----------|-------------|------------------|-------|-----------|--------------------------|
| PNS-0001 | Nexus 105 | Up to 113dB (A) | 64 | 10-60V DC | 8-40mA |
| PNS-0013 | Nexus 110 | Up to 116dB (A) | 64 | 10-60V DC | 10-50mA |
| PNS-0005 | Nexus 120 | Up to 120dB (A) | 64 | 10-60V DC | 120-550mA |

IP Rating: IP66 **Operating Temp:** -25°C to +70°C **Cable Entries:** 5 **Weight:** 105dB Sounder - 0.7kg; 110dB Sounder - 1.1Kg; 120dB Sounder - 1.8Kg
Compliance: EN54-3 Type B

Sounders

Nexus Sounder (AC)

This high output sounder is designed for industrial applications.

Connections are made to the base during the initial wiring phase which results in faster and more reliable installation. In addition, the head is fixed by quarter turn fasteners avoiding the need to screw up four individual screws thus enabling faster installation and accurate seal compression for weatherproofing.

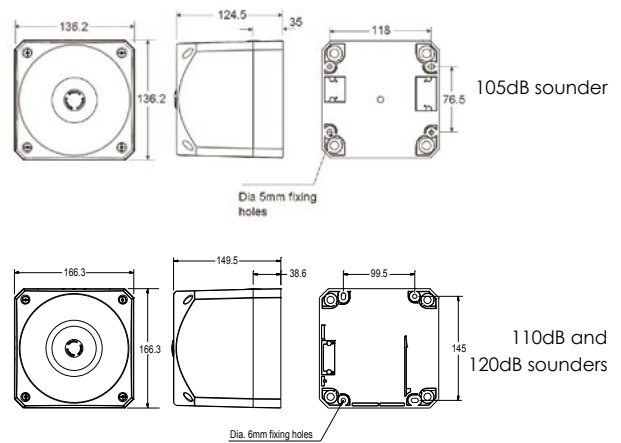
IP66 as standard means that Nexus can be installed in almost any location.

Features

- Three alarm stages (110dB & 120dB variants)
- First-fix, wire to base technology
- IP66 rated
- Volume control for greater flexibility - 20dB
- 64 tones
- Low voltage option



Applications - Conveyors; process control alarm; cranes; moving machinery; general signalling



Specifications

| Part No. | Description | Audibility at 1m | Tones | Voltage | Current (tone dependent) |
|----------|-------------|------------------|-------|-------------|--------------------------|
| PNS-0009 | Nexus 105 | Up to 113dB (A) | 64 | 110/230V AC | 40mA (max) |
| PNS-0018 | Nexus 110 | Up to 116dB (A) | 64 | 110/230V AC | 40mA (max) |
| PNS-0020 | Nexus 110 | Up to 116dB (A) | 64 | 24-48V AC | 10-50mA |
| PNS-0011 | Nexus 120 | Up to 120dB (A) | 64 | 110/230V AC | 200mA (max) |

IP Rating: IP66 **Operating Temp:** -25°C to +55°C **Cable Entries:** 5 **Weight:** 105dB Sounder - 0.7kg; 110dB Sounder - 1.1Kg; 120dB Sounder - 1.8Kg



Beacons

High efficiency LED and high output Xenon beacons for visual indication.

Beacons

Sonos LED Beacon (DC)

A general purpose beacon. Features the TimeSaver base where connections are made to the base during the initial wiring phase which results in faster and more reliable installation. The beacon head 'twists and clicks' into the base on commissioning, avoiding the wiring and connection problems associated with traditional alarm devices.

Deep base units have weatherproof protection to IP65 and can be used in all locations both indoors and outdoors. The Sonos Beacon utilises a full faced, translucent case which provides a much larger lens area and a greater spread of light.

Sonos Beacon units have a deep or shallow red colour base as standard and are available with a red or amber lens.

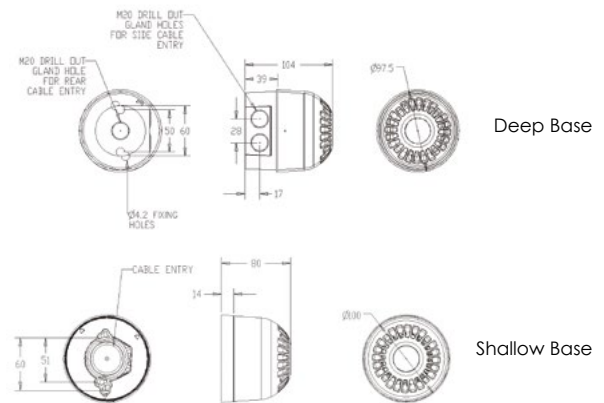
Features

- High efficiency LED beacon consumes less than 5mA
- Simple 'First Fix' installation (no second fix wiring)
- Weatherproof to IP65 (deep base units)
- Synchronised flash

Lens Colour Options



Applications - Fire; security; industrial alarm



Specifications

| Part No. | Base | Colours | Voltage | Current |
|----------|--------------------|------------|-----------|---------|
| PSB-0009 | Red shallow base | Red lens | 17-60V DC | 5mA |
| PSB-0026 | Red shallow base | Amber lens | 17-60V DC | 5mA |
| PSB-0017 | Red deep base | Red lens | 17-60V DC | 5mA |
| PSB-0031 | Red deep base | Amber lens | 17-60V DC | 5mA |
| PSB-0042 | White shallow base | Red LED | 17-60V DC | 5mA |
| PSB-0045 | White deep base | Red LED | 17-60V DC | 5mA |
| PSB-0048 | White shallow base | Red lens | 17-60V DC | 5mA |
| PSB-0050 | White shallow base | Amber lens | 17-60V DC | 5mA |
| PSB-0042 | White shallow base | Clear lens | 17-60V DC | 5mA |
| PSB-0035 | White deep base | Red lens | 17-60V DC | 5mA |
| PSB-0036 | White deep base | Amber lens | 17-60V DC | 5mA |
| PSB-0045 | White deep base | Clear lens | 17-60V DC | 5mA |

IP Rating: IP65 (deep base) IP21 (shallow base) **Operating Temp:** -25°C to +70°C **Construction:** Flame Retardant Polycarbonate
Cable Entries: 2 x 20mm cable glands (deep base) **Weight:** 0.22kg (shallow base) 0.25kg (deep base)

Sonos Xenon Beacon (5J)

A general purpose, high output xenon beacon designed for industrial applications.

Sonos xenon beacons are weatherproof to IP65 and can be used in all locations both indoors and outdoors.

The Sonos xenon beacon unit utilises a full faced, translucent case giving a much larger lens area. This results in a far greater light spread for more effective warning.

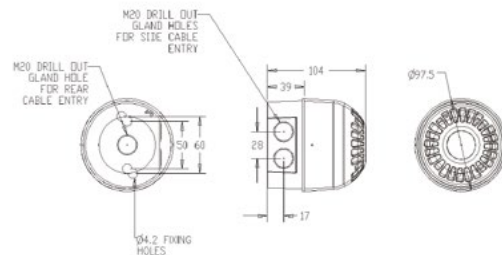
Features

- High output 5J xenon beacon
- 10-60V DC or 110/230V AC
- Simple 'First Fix' installation
- Weatherproof to IP65
- Synchronised flash (DC version)
- Single/double flash (DC version)
- No surge current

Lens Colour Options



Applications - Industrial alarm



Specifications

| Part No. | Base | Colours | Voltage | Current |
|----------|-----------------|------------|-------------|--------------|
| PSB-0002 | Red deep base | Red lens | 110/230V AC | 70mA |
| PSB-0004 | Red deep base | Amber lens | 110/230V AC | 70mA |
| PSB-0038 | Red deep base | Clear lens | 110/230V AC | 70mA |
| PSB-0054 | Red deep base | Green lens | 110/230V AC | 70mA |
| PSB-0056 | Red deep base | blue lens | 110/230V AC | 70mA |
| PSB-0033 | White deep base | Red lens | 110/230V AC | 70mA |
| PSB-0034 | White deep base | Amber lens | 110/230V AC | 70mA |
| PSB-0119 | White deep base | Clear lens | 110/230V AC | 70mA |
| PSB-0120 | White deep base | Blue lens | 110/230V AC | 70mA |
| PSB-0121 | White deep base | Green lens | 110/230V AC | 70mA |
| PSB-0039 | Red deep base | Red lens | 10-60V DC | 330mA/24V DC |
| PSB-0040 | Red deep base | Amber lens | 10-60V DC | 330mA/24V DC |
| PSB-0041 | Red deep base | clear lens | 10-60V DC | 330mA/24V DC |
| PSB-0055 | Red deep base | green lens | 10-60V DC | 330mA/24V DC |
| PSB-0057 | Red deep base | blue lens | 10-60V DC | 330mA/24V DC |

IP Rating: IP65 **Operating Temp:** -25°C to +55°C **Construction:** Flame Retardant Polycarbonate **Cable Entries:** 2 x 20mm cable glands
Weight: 0.25kg

Beacons

Flashguard LED Beacons

Flashguard weatherproof LED beacons are ideal visual indicators in a variety of applications.

All Flashguard beacons are fitted with a diffuser for greater visibility and spread of light. Two styles are available. Standard and Ultra Low Profile.

Standard: includes a terminal block and a 27mm deep base supplied with a seal and grommet.

Ultra Low Profile: comes complete with a screw and nylon wing nut and is supplied with mounting gasket and 40cm of cable.

A weatherproof cable connector is available to upgrade the product from IP65 rating to IP67.

Features

- Compact, ultra modern sleek appearance
- Long life LED design
- Ease of installation with first-fix option on standard models
- Weatherproof to IP67 (with cable connector)
- White, high quality polycarbonate housing
- Vandal-resistant safety locking mechanism
- Flashing or static indicators

Lens Colour Options

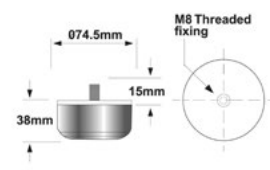


Applications - Fire alarm; security alert; emergency warning; process control alarm

Standard and Fire Style



Ultra Low Profile Style



Specifications

| Type and Style | Part No. Red Lens | Part No. Amber Lens | Part No. Clear Lens | Part No. Blue Lens | Part No. Green Lens | Voltage | Current | Static or Flashing | Flash Rate |
|-----------------------|-------------------|---------------------|---------------------|--------------------|---------------------|-----------|---------|--------------------|------------|
| LED Standard | QBS-0007 | QBS-0008 | QBS-0009 | QBS-0010 | QBS-0011 | 110V AC | 32mA | Static | N/A |
| LED Standard | QBS-0012 | QBS-0013 | QBS-0014 | QBS-0015 | QBS-0016 | 110V AC | 32mA | Flashing | 1Hz |
| LED Standard | QBS-0022 | QBS-0023 | QBS-0024 | QBS-0025 | QBS-0026 | 230V AC | 32mA | Static | N/A |
| LED Standard | QBS-0027 | QBS-0028 | QBS-0029 | QBS-0030 | QBS-0031 | 230V AC | 32mA | Flashing | 1Hz |
| LED Standard | QBS-0060 | QBS-0063 | QBS-0065 | QBS-0067 | QBS-0069 | 11/35V DC | 50mA** | Static/Flashing* | 1Hz |
| LED Ultra Low Profile | QBS-0062 | QBS-0064 | QBS-0066 | QBS-0068 | QBS-0070 | 11/35V DC | 50mA** | Static/Flashing* | 1Hz |

*These units are user-configurable

**Clear, blue and green versions draw upto 100mA

IP Rating: IP65 (Standard) IP67 (With cable connector) **Operating Temp:** -20°C to +70°C **Construction:** UV Stabilised Polycarbonate
Weight: 0.14kg (Standard) 0.08kg (Ultra)

Flashguard Xenon Beacons

Flashguard weatherproof xenon beacons are ideal visual indicators in a variety of applications.

All Flashguard beacons are fitted with a diffuser for greater visibility and spread of light. Two styles are available, Standard and Ultra Low Profile.

Standard: includes a terminal block and a 27mm deep base supplied with a seal and grommet.

Ultra Low Profile: comes complete with a screw and nylon wing nut and is supplied with mounting gasket and 40cm of cable.

A weatherproof cable connector is available to upgrade the product from IP65 rating to IP67.

Features

- Compact, ultra modern sleek appearance
- Ease of installation with first-fix option on standard models
- Weatherproof to IP67 (with cable connector)
- White, high quality polycarbonate housing
- 12V and 24V DC options in one user-selectable unit
- Vandal-resistant safety locking mechanism

Lens Colour Options

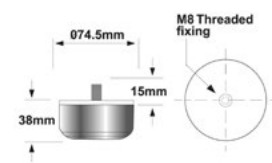


Applications - Fire alarm; security alert; emergency warning; process control alarm

Standard and Fire Style



Ultra Low Profile Style



Specifications

| Type and Style | Part No. Red Lens | Part No. Amber Lens | Part No. Clear Lens | Part No. Blue Lens | Part No. Green Lens | Voltage | Power | Current | Flash Rate |
|-------------------------|-------------------|---------------------|---------------------|--------------------|---------------------|------------|-------|------------|------------|
| Xenon Standard | QBS-0002 | QBS-0003 | QBS-0004 | QBS-0005 | QBS-0006 | 110V AC | 3W | 24mA | 1Hz |
| Xenon Standard | QBS-0017 | QBS-0018 | QBS-0019 | QBS-0020 | QBS-0021 | 230V AC | 3W | 15mA | 1Hz |
| Xenon Standard | QBS-0052 | QBS-0054 | QBS-0055 | QBS-0056 | QBS-0058 | 12/24V DC* | 3W | 140mA/85mA | 1Hz |
| Xenon Standard | QBS-0038 | QBS-0042 | TKA-0126 | QBS-0047 | QBS-0050 | 12/24V DC* | 2W | 115mA/70mA | 1Hz |
| Xenon Standard | QBS-0032 | QBS-0034 | QBS-0035 | QBS-0036 | QBS-0037 | 12/24V DC* | 1W | 60mA/45mA | 1Hz |
| Xenon Ultra Low Profile | QBS-0040 | QBS-0044 | QBS-0046 | QBS-0049 | QBS-0051 | 12/24V DC* | 2W | 115mA/70mA | 1Hz |

*These units are user-configurable

IP Rating: IP65 (Standard) IP67 (Ultra) **Operating Temp:** -20°C to +40°C **Construction:** UV Stabilised Polycarbonate
Weight: 0.14kg (Standard) 0.08kg (Ultra)

Sounder Beacons



Sounder Beacons

Combined sounder beacons for audio visual warning at the same point.

Sonos Sounder Beacon (DC)

A general purpose electronic sounder for fire, security and industrial applications; the Sonos Sounder Beacon is certified to EN54.

With the TimeSaver base, connections are made to the base during the initial wiring phase which results in faster and more reliable installation. The sounder head 'twists and clicks' into the base on commissioning, avoiding the wiring and connection problems associated with traditional sounders. With a choice of 32 tones including all the major international standards, the Sonos Sounder Beacon has universal acceptance.

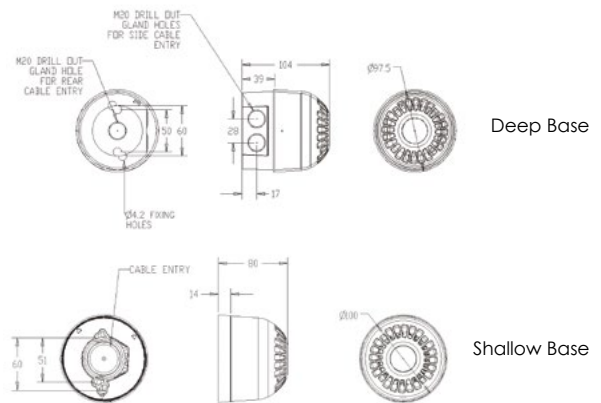
Features

- Low current LED beacon
- Simple 'First Fix' installation
- Weatherproof to IP65 (deep base units)
- Choice of lens colours
- Sounder and beacon can be controlled separately
- Tone and volume can be preset or adjusted off-base - 20dB
- Separate connections for sounder & beacon

Lens Colour Options



Applications - Fire; security; industrial alarm



Specifications

| Part No. | Base | Colours | Audibility at 1m | Tones | Voltage | Sounder Current | Beacon Current |
|----------|--------------------|------------|------------------|-------|-----------|-----------------|----------------|
| PSC-0002 | Red shallow base | Red lens | Up to 106dB (A) | 32 | 17-60V DC | 4-45mA | 5mA |
| PSC-0025 | Red shallow base | Amber lens | Up to 106dB (A) | 32 | 17-60V DC | 4-45mA | 5mA |
| PSC-0013 | Red deep base | Red lens | Up to 106dB (A) | 32 | 17-60V DC | 4-45mA | 5mA |
| PSC-0027 | Red deep base | Amber lens | Up to 106dB (A) | 32 | 17-60V DC | 4-45mA | 5mA |
| PSC-0035 | White shallow base | Red lens | Up to 106dB (A) | 32 | 17-60V DC | 4-45mA | 5mA |
| PSC-0040 | White shallow base | Amber lens | Up to 106dB (A) | 32 | 17-60V DC | 4-45mA | 5mA |
| PSC-0029 | White deep base | Red lens | Up to 106dB (A) | 32 | 17-60V DC | 4-45mA | 5mA |
| PSC-0034 | White deep base | Amber lens | Up to 106dB (A) | 32 | 17-60V DC | 4-45mA | 5mA |

Other colours/combinations are available on request

IP Rating: IP65 (deep base) IP21 (shallow base) **Operating Temp:** -25°C to +70°C **Construction:** Flame Retardant Polycarbonate
Cable Entries: Deep Base: 2 x 20mm cable glands **Weight:** 0.22kg (shallow base) 0.25kg (deep base)
Compliance: EN54 3 Type A (shallow base) EN54 3 Type B (deep base)

Sounder Beacons

Sonos Sounder Beacon (AC)

A general purpose AC electronic sounder beacon for industrial applications.

With a choice of 32 tones including all of the major international standards, the Sonos sounder beacon has universal acceptance. The full faced translucent beacon case provides a greater spread of light when compared with standard and competitor beacon products.

Sonos AC sounder beacons are weatherproof to IP65 and can be used in all locations both indoors and outdoors.

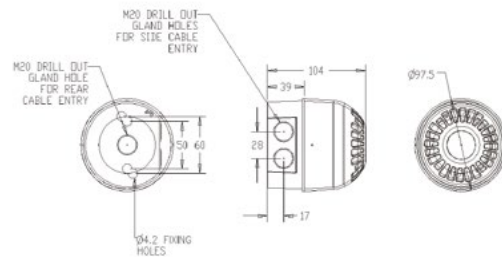
Features

- Dual voltage 110V AC or 230V AC
- Up to 102dB (A) @ 1metre
- Easy installation
- Weatherproof to IP65
- Synchronised alarm tones
- High efficiency LED beacon
- Volume control - 20dB

Lens Colour Options



Applications - Safety; industrial alarm



Specifications

| Part No. | Base | Colours | Audibility at 1m | Tones | Voltage | Current (tone dependent) |
|----------|---------------|------------|------------------|-------|-------------|--------------------------|
| PSS-0094 | Red deep base | Red Lens | Up to 102dB (A) | 32 | 110/230V AC | 80mA |
| PSS-0096 | Red deep base | Amber Lens | Up to 102dB (A) | 32 | 110/230V AC | 80mA |

IP Rating: IP65 **Operating Temp:** -25°C to +55°C **Weight:** 0.25Kg **Construction:** Flame retardant Polycarbonate **Compliance:** EN60950
Cable Entries: 2x20mm cable gland

Nexus 105 Sounder Beacon (DC)

The Nexus 105 is a high output, low current consumption sounder beacon designed for fire and industrial applications. Connections are made to the base during the initial wiring phase which results in faster and more reliable installation. In addition, the head is fixed by quarter turn fasteners thus enabling faster installation and accurate seal compression for weatherproofing. The Nexus Sounder Beacon is available with a high efficiency LED or high output xenon beacon. The combination of a powerful sounder and high output beacon ensures a very effective audio-visual signal. 110dB and 120dB units, as well as AC variants, are also available.

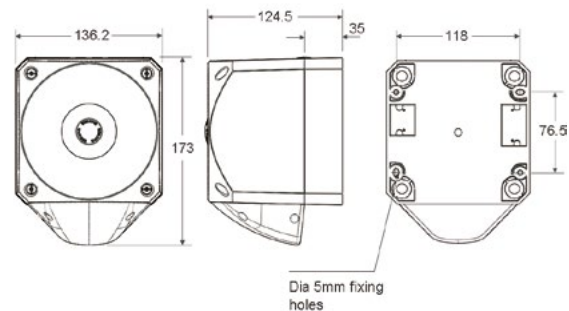
Features

- High sound output: 113dB (max); 105dB (typical)
- 5J xenon or high efficiency LED beacon option
- Quarter turn fasteners for ease of installation
- First-fix, wire to base technology
- IP66 rated
- Three alarm stages
- Low in-rush current (LED only)
- Static/flashing mode (LED only)
- Volume control for greater flexibility - 20dB
- 64 tones
- Separate connections for sounder & beacon

Lens Colour Options



Applications - Fire alarm; conveyors; process control alarm; cranes; moving machinery; general signalling; marine



Specifications

| Part No. | Lens Colour | Beacon Type | Audibility at 1m | Tones | Voltage | Sounder Current | Beacon Current |
|----------|-------------|--------------|------------------|-------|-----------|-----------------|----------------|
| PNC-0001 | Red lens | Xenon beacon | Up to 113dB (A) | 64 | 10-60V DC | 8-40mA | 330mA@24V DC |
| PNC-0002 | Amber lens | Xenon beacon | Up to 113dB (A) | 64 | 10-60V DC | 8-40mA | 330mA@24V DC |
| PNC-0020 | Clear lens | Xenon beacon | Up to 113dB (A) | 64 | 10-60V DC | 8-40mA | 330mA@24V DC |
| PNC-0043 | Blue lens | Xenon beacon | Up to 113dB (A) | 64 | 10-60V DC | 8-40mA | 330mA@24V DC |
| PNC-0041 | Green lens | Xenon beacon | Up to 113dB (A) | 64 | 10-60V DC | 8-40mA | 330mA@24V DC |
| PNC-0024 | Red lens | LED beacon | Up to 113dB (A) | 64 | 10-60V DC | 8-40mA | 18mA/65mA** |
| PNC-0028 | Amber lens | LED beacon | Up to 113dB (A) | 64 | 10-60V DC | 8-40mA | 18mA/65mA** |
| PNC-0045 | Clear lens | LED beacon | Up to 113dB (A) | 64 | 10-60V DC | 8-40mA | 18mA/65mA** |
| PNC-0047 | Blue lens | LED beacon | Up to 113dB (A) | 64 | 10-60V DC | 8-40mA | 18mA/65mA** |
| PNC-0046 | Green lens | LED beacon | Up to 113dB (A) | 64 | 10-60V DC | 8-40mA | 18mA/65mA** |

** Flashing/Static current consumption figures.

IP Rating: IP66 **Operating Temp:** -25°C to +70°C **Cable Entries:** 5 **Weight:** 0.8kg **Compliance:** EN54-3 Type

Sounder Beacons

Nexus 105 Sounder Beacon (AC)

The Nexus 105 is a high output sounder-beacon designed for industrial applications.

Connections are made to the base during the initial wiring phase which results in faster and more reliable installation. In addition, the head is fixed by quarter turn fasteners enabling faster installation and accurate seal compression for weatherproofing.

The combination of powerful sounder and high output xenon beacon ensures a very effective audio-visual signal.

110dB and 120dB units, as well as DC variants, are also available.

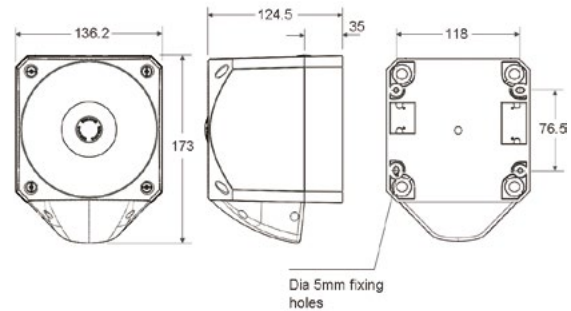
Features

- High sound output: 113dB (max); 105dB typical
- 5J xenon beacon
- Quarter turn fasteners for ease of installation
- First-fix, wire to base technology
- IP66 rated
- Volume control for greater flexibility - 20dB
- 64 tones
- Separate connections for sounder & beacon

Lens Colour Options



Applications - Conveyors; process control alarm; cranes; moving machinery; general signalling; marine



Specifications

| Part No. | Lens Colour | Beacon Type | Audibility at 1m | Tones | Voltage | Sounder Current | Beacon Current |
|----------|-------------|-----------------|------------------|-------|-------------|-----------------|----------------|
| PNC-0005 | Red lens | 5J xenon beacon | Up to 113dB (A) | 64 | 110/230V AC | 40mA (max) | 70mA |
| PNC-0007 | Amber lens | 5J xenon beacon | Up to 113dB (A) | 64 | 110/230V AC | 40mA (max) | 70mA |
| PNC-0019 | Clear lens | 5J xenon beacon | Up to 113dB (A) | 64 | 110/230V AC | 40mA (max) | 70mA |
| PNC-0044 | Blue lens | 5J xenon beacon | Up to 113dB (A) | 64 | 110/230V AC | 40mA (max) | 70mA |
| PNC-0042 | Green lens | 5J xenon beacon | Up to 113dB (A) | 64 | 110/230V AC | 40mA (max) | 70mA |

IP Rating: IP66 Operating Temp: -25°C to +55°C Cable Entries: 5 Weight: 0.8kg

Nexus 110 Sounder Beacon (DC)

The Nexus 110 is a high output, low current consumption sounder beacon designed for fire and industrial applications. Connections are made to the base during the initial wiring phase which results in faster and more reliable installation. In addition, the head is fixed by quarter turn fasteners enabling faster installation and accurate seal compression for weatherproofing. The Nexus Sounder Beacon is available with either a high efficiency LED or xenon beacon. The combination of a powerful sounder and high output beacon ensures a very effective audio-visual signal. 105dB and 120dB units, as well as AC variants, are also available.

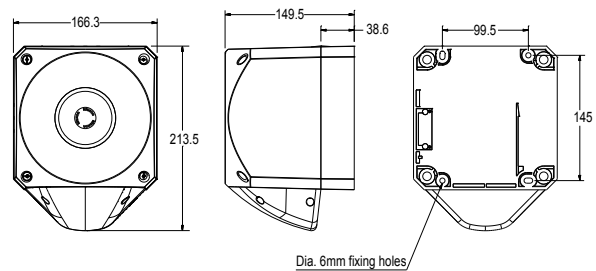
Features

- High sound output: 116dB (max); 110dB (typical)
- Three alarm stages
- 5J xenon or high efficiency LED beacon option
- Quarter turn fasteners for ease of installation
- First-fix, wire to base technology
- IP66 rated
- Volume control for greater flexibility - 20dB
- Low in-rush current (LED only)
- Static/flashing mode (LED only)
- 64 tones
- Separate connections for sounder & beacon

Lens Colour Options



Applications - Fire alarm; conveyors; process control alarm; cranes; moving machinery; general signalling; marine



Specifications

| Part No. | Lens Colour | Beacon Type | Audibility at 1m | Tones | Voltage | Sounder Current | Beacon Current |
|----------|-------------|--------------|------------------|-------|-----------|-----------------|----------------|
| PNC-0013 | Red lens | Xenon beacon | Up to 116dB (A) | 64 | 10-60V DC | 10-50mA | 330mA@24V DC |
| PNC-0015 | Amber lens | Xenon beacon | Up to 116dB (A) | 64 | 10-60V DC | 10-50mA | 330mA@24V DC |
| PNC-0021 | Clear lens | Xenon beacon | Up to 116dB (A) | 64 | 10-60V DC | 10-50mA | 330mA@24V DC |
| PNC-0050 | Blue lens | Xenon beacon | Up to 116dB (A) | 64 | 10-60V DC | 10-50mA | 330mA@24V DC |
| PNC-0048 | Green lens | Xenon beacon | Up to 116dB (A) | 64 | 10-60V DC | 10-50mA | 330mA@24V DC |
| PNC-0029 | Red lens | LED beacon | Up to 116dB (A) | 64 | 10-60V DC | 10-50mA | 18mA/65mA** |
| PNC-0034 | Amber lens | LED beacon | Up to 116dB (A) | 64 | 10-60V DC | 10-50mA | 18mA/65mA** |
| PNC-0052 | Clear lens | LED beacon | Up to 116dB (A) | 64 | 10-60V DC | 10-50mA | 18mA/65mA** |
| PNC-0054 | Blue lens | LED beacon | Up to 116dB (A) | 64 | 10-60V DC | 10-50mA | 18mA/65mA** |
| PNC-0053 | Green lens | LED beacon | Up to 116dB (A) | 64 | 10-60V DC | 10-50mA | 18mA/65mA** |

** Flashing/Static current consumption figures.

IP Rating: IP66 **Operating Temp:** -25°C to +70°C **Cable Entries:** 5 **Weight:** 1.2kg **Compliance:** EN54-3 Type B

Sounder Beacons

Nexus 110 Sounder Beacon (AC)

The Nexus 110 is a high output, sounder beacon designed for industrial applications.

Connections are made to the base during the initial wiring phase which results in faster and more reliable installation. In addition, the head is fixed by quarter turn fasteners enabling faster installation and accurate seal compression for weatherproofing.

The combination of powerful sounder and high output beacon ensures a very effective audio-visual signal.

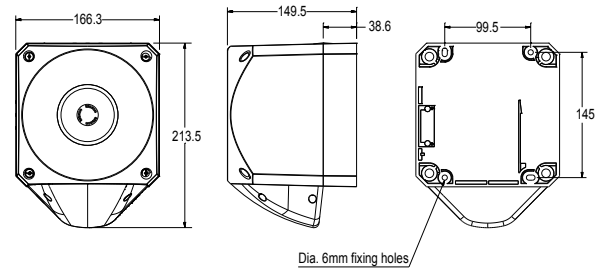
Features

- High sound output: 116dB (max); 110dB typical
- Low voltage AC variant
- 5J xenon and LED beacon options
- Three alarm stages
- Quarter turn fasteners for ease of installation
- First-fix, wire to base technology
- IP66 rated
- Volume control for greater flexibility - 20dB
- 64 tones
- Separate connections for sounder & beacon

Lens Colour Options



Applications - Conveyors; process control alarm; cranes; moving machinery; general signalling; marine



Specifications

| Part No. | Lens Colour | Beacon Type | Audibility at 1m Dimensions: | Tones | Voltage | Sounder Current | Beacon Current |
|----------|-------------|-----------------|------------------------------|-------|-------------|-----------------|----------------|
| PNC-0062 | Red lens | LED beacon | 116dB (A) | 64 | 24-48V AC | 30-100mA | - |
| PNC-0063 | Amber lens | LED beacon | 116dB (A) | 64 | 24-48V AC | 30-100mA | - |
| PNC-0016 | Red lens | Xenon 5J beacon | 116dB (A) | 64 | 110/230V AC | 40mA (max) | 70mA |
| PNC-0018 | Amber lens | Xenon 5J beacon | 116dB (A) | 64 | 110/230V AC | 40mA (max) | 70mA |
| PNC-0072 | Clear lens | Xenon 5J beacon | 116dB (A) | 64 | 110/230V AC | 40mA (max) | 70mA |
| PNC-0051 | Blue lens | Xenon 5J beacon | 116dB (A) | 64 | 110/230V AC | 40mA (max) | 70mA |
| PNC-0049 | Green lens | Xenon 5J beacon | 116dB (A) | 64 | 110/230V AC | 40mA (max) | 70mA |

IP Rating: IP66 Operating Temp: -25°C to +55°C Cable Entries: 5 Weight: 1.2kg

Nexus 120 Sounder Beacon (DC)

The Nexus 120 is a very high output sounder beacon designed for fire and industrial applications. Connections are made to the base during the initial wiring phase which results in faster and more reliable installation. In addition, the head is fixed by quarter turn fasteners enabling faster installation and accurate seal compression for weatherproofing. IP66 as standard means that Nexus can be installed in almost any location. The Nexus Sounder Beacon is available with a high efficiency LED or xenon beacon. The combination of powerful sounder and high output beacon ensures a very effective audio-visual signal. 105dB and 110dB units, as well as AC variants, are also available.

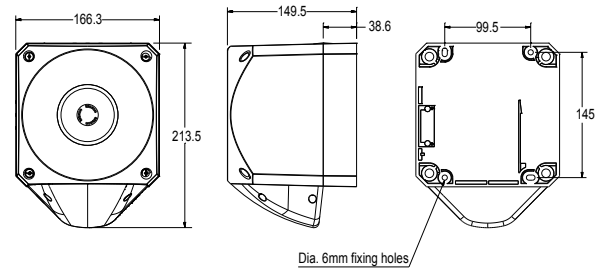
Features

- High sound output 120dB (typical)
- Three alarm stages
- 5J xenon or high efficiency LED beacon option
- Quarter turn fasteners for ease of installation
- First-fix, wire to base technology
- IP66 rated
- Volume control for greater flexibility - 20dB
- Low in-rush current (LED only)
- Static/flashing mode (LED only)
- 64 tones
- Separate connections for sounder & beacon

Lens Colour Options



Applications - Fire alarm; conveyors; process control alarm; cranes; moving machinery; general signalling; marine



Specifications

| Part No. | Lens Colour | Beacon Type | Audibility at 1m | Tones | Voltage | Sounder Current | Beacon Current |
|----------|-------------|--------------|------------------|-------|-----------|-----------------|----------------|
| PNC-0003 | Red lens | Xenon beacon | Up to 120dB (A) | 64 | 10-60V DC | 120-550mA | 330mA@24V DC |
| PNC-0004 | Amber lens | Xenon beacon | Up to 120dB (A) | 64 | 10-60V DC | 120-550mA | 330mA@24V DC |
| PNC-0022 | Clear lens | Xenon beacon | Up to 120dB (A) | 64 | 10-60V DC | 120-550mA | 330mA@24V DC |
| PNC-0057 | Blue lens | Xenon beacon | Up to 120dB (A) | 64 | 10-60V DC | 120-550mA | 330mA@24V DC |
| PNC-0055 | Green lens | Xenon beacon | Up to 120dB (A) | 64 | 10-60V DC | 120-550mA | 330mA@24V DC |
| PNC-0035 | Red lens | LED beacon | Up to 120dB (A) | 64 | 10-60V DC | 120-550mA | 18mA/65mA** |
| PNC-0039 | Amber lens | LED beacon | Up to 120dB (A) | 64 | 10-60V DC | 120-550mA | 18mA/65mA** |
| PNC-0059 | Clear lens | LED beacon | Up to 120dB (A) | 64 | 10-60V DC | 120-550mA | 18mA/65mA** |
| PNC-0061 | Blue lens | LED beacon | Up to 120dB (A) | 64 | 10-60V DC | 120-550mA | 18mA/65mA** |
| PNC-0060 | Green lens | LED beacon | Up to 120dB (A) | 64 | 10-60V DC | 120-550mA | 18mA/65mA** |

** Flashing/Static current consumption figures.

IP Rating: IP66 **Operating Temp:** -25°C to +70°C **Cable Entries:** 5 **Weight:** 2kg **Compliance:** EN54-3 Type B

Sounder Beacons

Nexus 120 Sounder Beacon (AC)

The Nexus 120 is a very high output sounder beacon designed for industrial applications.

Connections are made to the base during the initial wiring phase which results in faster and more reliable installation. In addition, the head is fixed by quarter turn fasteners enabling faster installation and accurate seal compression for weatherproofing. IP66 as standard means that Nexus can be installed in almost any location.

The combination of powerful sounder and high output xenon beacon ensures a very effective audio-visual signal.

105dB and 110dB units, as well as DC variants, are also available.

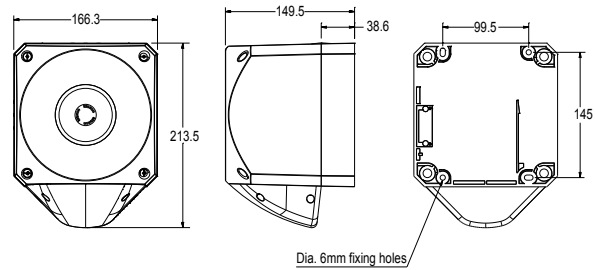
Features

- High sound output 120dB (A)
- 5J xenon beacon
- Three alarm stages
- Quarter turn fasteners for ease of installation
- First-fix, wire to base technology
- IP66 rated
- Volume control for greater flexibility - 20dB
- 64 tones
- Separate connections for sounder & beacon

Lens Colour Options



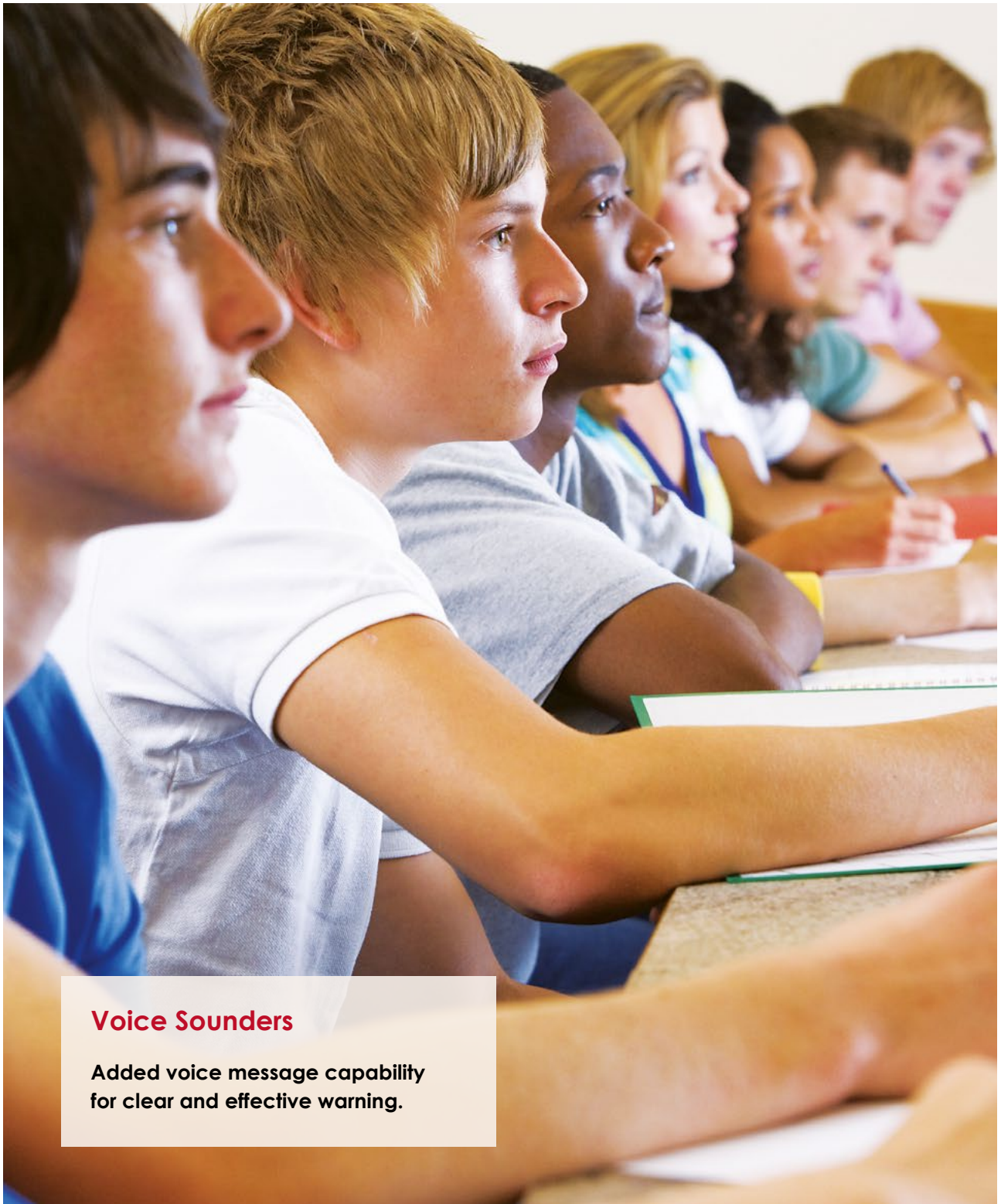
Applications - Conveyors; process control alarm; cranes; moving machinery; general signalling; marine



Specifications

| Part No. | Lens Colour | Beacon Type | Audibility at 1m | Tones | Voltage | Sounder Current | Beacon Current |
|----------|-------------|-----------------|------------------|-------|-------------|-----------------|----------------|
| PNC-0009 | Red lens | 5J xenon beacon | Up to 120dB (A) | 64 | 110/230V AC | 200mA | 70mA |
| PNC-0011 | Amber lens | 5J xenon beacon | Up to 120dB (A) | 64 | 110/230V AC | 200mA | 70mA |
| PNC-0023 | Clear lens | 5J xenon beacon | Up to 120dB (A) | 64 | 110/230V AC | 200mA | 70mA |
| PNC-0058 | Blue lens | 5J xenon beacon | Up to 120dB (A) | 64 | 110/230V AC | 200mA | 70mA |
| PNC-0056 | Green lens | 5J xenon beacon | Up to 120dB (A) | 64 | 110/230V AC | 200mA | 70mA |

IP Rating: IP66 Operating Temp: -25°C to + 55°C Cable Entries: 5 Weight: 2kg



Voice Sounders

Added voice message capability
for clear and effective warning.

Voice Sounders

Sonos Voice

Sonos voice sounders combine normal sounder signals with a clear, synchronised voice message to help reduce confusion and distress during an active alarm.

Available with up to 7 pre-programmed messages, selected from an extensive message library covering almost any conceivable application. Bespoke messages are also available on request.

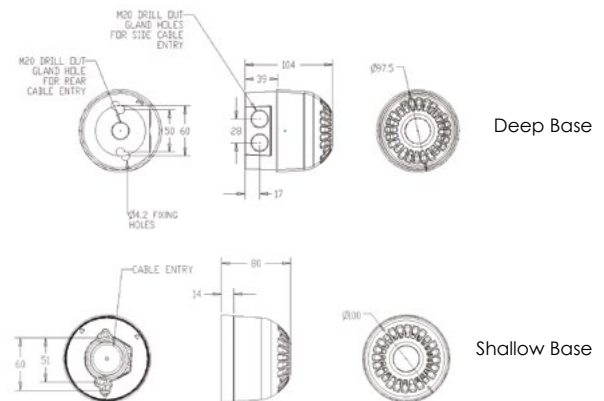
Features

- Capable of playing up to 7 messages over two wires with a message controller (see page 28)
- 106dB (A) tone and 80dB (A) message outputs
- Extensive message library or bespoke messages available
- Automatic synchronisation
- Easily retro-fits to existing installations
- Includes alert tone
- High efficiency LED Beacon option

Lens Colour Options



Applications - Fire; Industrial; General safety alarm



Specifications

| Part No. | Colours | Audibility at 1m Dimensions: | Tones | Voltage | Current (tone dependent) | Messages |
|-----------------------|--------------------------------|---------------------------------|-------|---------|-----------------------------|----------|
| PSV-0010 shallow base | Red | Up to 106dB (A) | 32 | 24V DC | 26mA (max) | 3 |
| PSV-0009 deep base | Red | Up to 106dB (A) | 32 | 24V DC | 26mA (max) | 3 |
| PSV-0012 shallow base | White | Up to 106dB (A) | 32 | 24V DC | 26mA (max) | 3 |
| PSV-0011 deep base | White | Up to 106dB (A) | 32 | 24V DC | 26mA (max) | 3 |
| PSV-0013 deep base | Red base, red lens | Up to 106dB (A) | 32 | 24V DC | 30mA (max) | 3 |
| PSV-0014 shallow base | Red base, red lens | Up to 106dB (A) | 32 | 24V DC | 30mA (max) | 3 |
| PSV-0015 deep base | White base, clear lens/red LED | Up to 106dB (A) | 32 | 24V DC | 30mA (max) | 3 |
| PSV-0016 shallow base | White base, clear lens/red LED | Up to 106dB (A) | 32 | 24V DC | 30mA (max) | 3 |

IP Rating: IP65 (deep base) IP21 (shallow base) **Operating Temp:** -25°C to +70°C **Construction:** Flame Retardant Polycarbonate
Cable Entries: Deep Base: 2 x 20mm cable glands **Weight:** 0.22kg (shallow base) 0.25kg (deep base)

Nexus Voice Sounder (DC)

Nexus voice sounders combine normal sounder signals with a clear, synchronised voice message to help reduce confusion and distress during an active alarm.

Standard units are available with up to 7 pre-programmed messages. Alternative messages can be selected from an extensive message library covering almost any conceivable application. Customised messages are also available on request.

All Nexus voice sounders have a USB port that allows special messages in WAV format to be downloaded onto the sounder from any PC, providing users with the flexibility of adding/removing messages in-field.

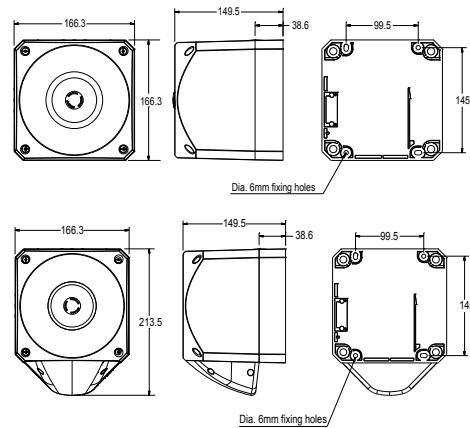
Combined with an LED or Xenon beacon the Nexus sounder can form part of a DDA compliant system giving a clear voice message, powerful alarm tone and high output beacon for clear and effective warning.

Features

- Choice of up to 7 messages via three volt free contacts
- Extensive message library or bespoke messages available
- Download messages in-field via built in USB port
- Max 116dB (A) tone and 90dB (A) message outputs
- Automatic synchronisation
- Robust construction; IP66 rated for outdoor environments
- Volume control - 20dB
- Separate connections for sounder & beacon



Applications - Fire alarm, Industrial alarm, Process control alarm



Specifications

| Part No. | Lens Colour | Beacon Type | Audibility at 1m | Tones (Up to) | Voltage | Sounder Current | Beacon Current | Messages |
|----------|-------------|--------------|------------------|---------------|---------|-----------------|----------------|----------|
| PNV-0001 | - | Sounder only | 116dB (A) | 64 | 24V DC | 30mA (max) | - | 7 |
| PNV-0006 | Red lens | LED beacon | Up to 116dB (A) | 64 | 24V DC | 30mA (max) | 18mA/65mA** | 7 |
| PNV-0007 | Amber lens | LED beacon | Up to 116dB (A) | 64 | 24V DC | 30mA (max) | 18mA/65mA** | 7 |
| PNV-0008 | Green lens | LED beacon | Up to 116dB (A) | 64 | 24V DC | 30mA (max) | 18mA/65mA** | 7 |
| PNV-0009 | Blue lens | LED beacon | Up to 116dB (A) | 64 | 24V DC | 30mA (max) | 18mA/65mA** | 7 |
| PNV-0010 | Clear lens | LED beacon | Up to 116dB (A) | 64 | 24V DC | 30mA (max) | 18mA/65mA** | 7 |
| PNV-0011 | Red lens | Xenon beacon | Up to 116dB (A) | 64 | 24V DC | 30mA (max) | 330mA@24V DC | 7 |
| PNV-0012 | Amber lens | Xenon beacon | Up to 116dB (A) | 64 | 24V DC | 30mA (max) | 330mA@24V DC | 7 |
| PNV-0013 | Green lens | Xenon beacon | Up to 116dB (A) | 64 | 24V DC | 30mA (max) | 330mA@24V DC | 7 |
| PNV-0014 | Blue lens | Xenon beacon | Up to 116dB (A) | 64 | 24V DC | 30mA (max) | 330mA@24V DC | 7 |
| PNV-0015 | Clear lens | Xenon beacon | Up to 116dB (A) | 64 | 24V DC | 30mA (max) | 330mA@24V DC | 7 |

** Flashing/Static current consumption figures.

IP Rating: IP66 **Operating Temp:** -25°C to +70°C **Cable Entries:** 5 **Weight:** Sounder 1.1kg; Sounder Beacon 1.2kg

Voice Sounders

Nexus Voice Sounder (AC)

Nexus voice sounders combine normal sounder signals with a clear, synchronised voice message to help reduce confusion and distress during an active alarm.

Standard units are available with 4 pre-programmed messages, selected from an extensive message library covering almost any conceivable application. Bespoke messages are also available on request.

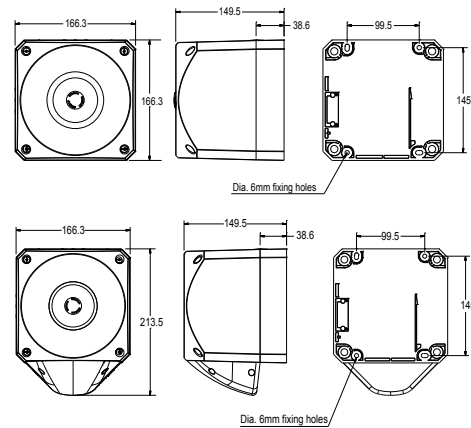
All Nexus voice sounders have a USB interface that allows special messages in WAV format to be downloaded onto the sounder from any PC, providing users with the flexibility of adding/removing messages in-house.

Features

- Choice of up to 4 messages
- Extensive message library or bespoke messages available
- Download messages in-house via built in USB port
- Max 116dB (A) tone and 90dB (A) message outputs
- Automatic synchronisation
- Robust construction; IP66 rated for outdoor environments
- Volume control - 20dB
- Separate connections for sounder & beacon



Applications - Industrial alarm, Process control alarm



Specifications

| Part No. | Lens Colour | Beacon Type | Audibility at 1m (typical) | Tones (Up to) | Voltage (50/60Hz) | Sounder Current | Beacon Current | Messages |
|----------|-------------|--------------|----------------------------|---------------|-------------------|-----------------|----------------|----------|
| PNV-0016 | - | Sounder Only | Up to 116dB (A) | 64 | 110/230V AC | 30mA (max) | - | 4 |
| PNV-0018 | Red lens | Xenon beacon | Up to 116dB (A) | 64 | 110/230V AC | 30mA (max) | 70mA | 4 |
| PNV-0019 | Amber lens | Xenon beacon | Up to 116dB (A) | 64 | 110/230V AC | 30mA (max) | 70mA | 4 |
| PNV-0020 | Green lens | Xenon beacon | Up to 116dB (A) | 64 | 110/230V AC | 30mA (max) | 70mA | 4 |
| PNV-0021 | Blue lens | Xenon beacon | Up to 116dB (A) | 64 | 110/230V AC | 30mA (max) | 70mA | 4 |
| PNV-0030 | Clear lens | Xenon beacon | Up to 116dB (A) | 64 | 110/230V AC | 30mA (max) | 70mA | 4 |

IP Rating: IP66 **Operating Temp:** -25°C to +55°C **Cable Entries:** 5 **Weight:** Sounder 1.1kg; Sounder Beacon 1.2kg

Nexus 2-Wire Voice Sounder Beacon

Nexus voice sounders combine normal sounder signals with a clear, synchronised voice message to help reduce confusion and distress during an active alarm.

The Nexus 2-Wire Voice sounder beacon has been specifically designed to be used with either the Message controller (see page 28).

Available with 4 pre-programmed messages. Alternative messages can be selected from an extensive message library covering almost any conceivable application. Customised messages are also available on request.

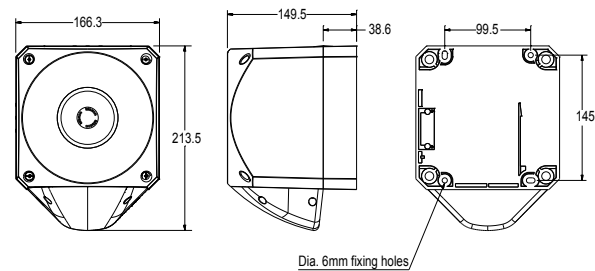
All Nexus voice sounders have a USB port that allows special messages in WAV format to be downloaded onto the sounder from any PC, providing users with the flexibility of adding/removing messages in-house.

Features

- Choice of up to 7 messages over a two core cable
- Extensive message library or bespoke messages available
- Download messages in-field via built in USB port
- 110dB (A) tone and 90dB (A) message outputs
- Automatic synchronisation
- Robust construction; IP66 rated for outdoor environments
- Volume control - 20dB
- Separate connections for sounder & beacon



Applications - Industrial alarm



Specifications

| Part No. | Lens Colour | Beacon Type | Audibility (tone) at 1m (typical) | Tones (Up to) | Voltage | Sounder Current | Beacon Current |
|----------|-------------|-------------|-----------------------------------|---------------|---------|-----------------|----------------|
| PNV-0003 | Red Lens | LED beacon | 110dB (A) | 64 | 24V DC | 30mA (max) | 18mA/65mA** |

** Flashing/Static current consumption figures.

Note: Must be used with PNV-0005

IP Rating: IP66 **Operating Temp:** -25°C to +70°C **Cable Entries:** 5 **Weight:** Sounder Beacon 1.2kg

Voice Sounders

Message Controller

When combined with a Message controller, voice sounders can transmit upto 7 messages via a simple two-core cable.

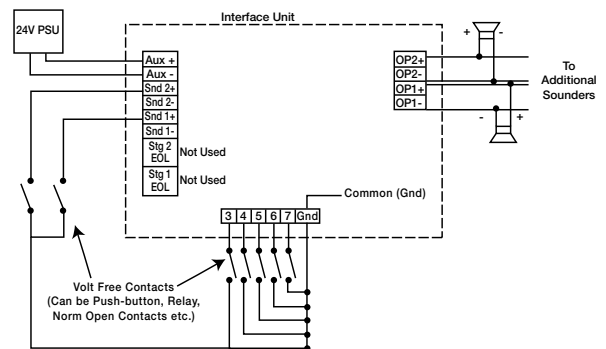
The control unit has two status indication LED's mounted on its front face; a green 'System Health' indicator and an amber 'fault indicator'.

Features

- Enables voice sounders to transmit up to 7 messages via a two-core cable
- Fully synchronised voice messages
- System health indicators
- Simple operation
- Compatible with any of the Sonos Voice Sounders and the Nexus red LED voice sounder beacon (PNV-0003)



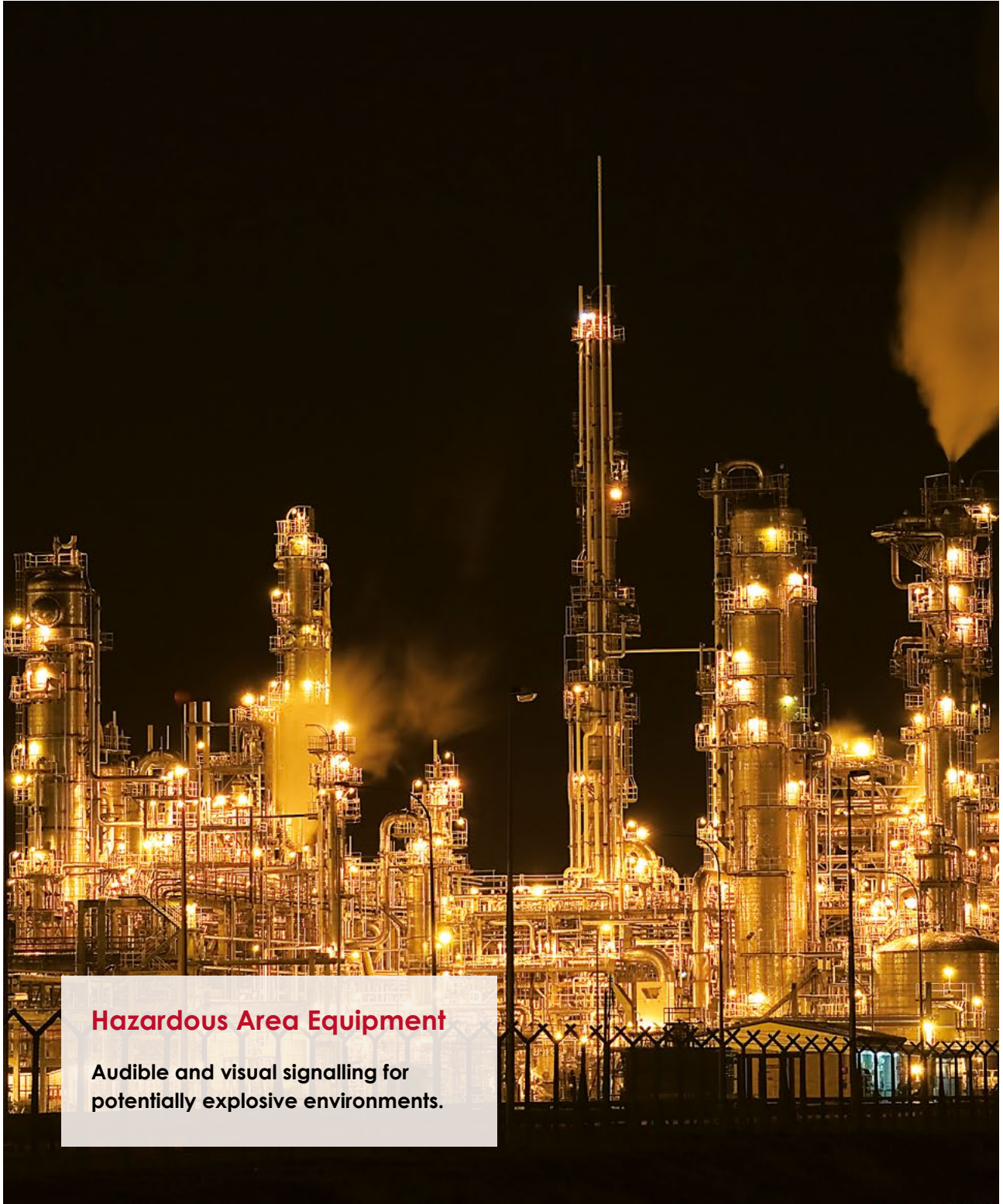
Applications - General signalling



Specifications

| Part No. | Description | Messages | Voltage | Quiescent Current | Alarm Current | Sounder Load |
|----------|--------------|----------|-----------|-------------------|---------------|--------------|
| PNV-0005 | Control Unit | Up to 7 | 17-28V DC | 16mA | 45mA | 2A |

IP Rating: Indoor **Operating Temp:** -25°C to +70°C **Construction:** Polycarb Flame Retardant **Weight:** 0.48Kg
Dimensions: 131mm W x 178mm H x 60.5mm D



Hazardous Area Equipment

Audible and visual signalling for potentially explosive environments.

Hazardous Area Equipment

EXD Sounder

The EXD Sounder has been approved for use in potentially explosive atmospheres and very harsh environmental conditions.

The unit incorporates a three stage alarm option with sixty three tones to choose from which includes four tones that can be recorded or customised by the installer. All tones can be pre-set during installation.

The units also have the ability to be fitted with a telephone initiation function and can be used as the second ring output indicator for telephones when installed in very noisy environments.

The design allows for termination inside the enclosure. The sounder is supplied with a mounting bracket as standard.

Features

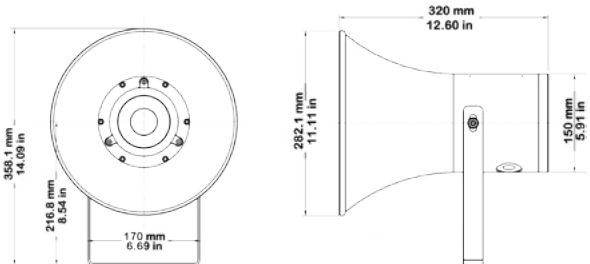
- Approved by ATEX and CQST • IMETRO and IECEx (Pending)
- ATEX: II 2G Exd IIC T4 - T6 (incorporating IIA & IIB)
- Zones 1&2, Zones 21&22 (Pending)
- Conforms to EN (IEC) 60079-0 EN (IEC) 60079-1 and EN54
- Volume control
- Dustproof & Weatherproof

Approvals & Conformities



Applications

Oil and Gas, On-shore and Offshore, Chemical, Petrochemical, Refineries & Marine locations etc.



Specifications

| Part No. | Voltage (50/60Hz) | Sounder | Sound Output at 1m | Body Colour |
|----------|-------------------|--|--------------------|-------------|
| TCB-0017 | 24 VDC | 3 Stage alarm with 63 Selectable tones | Up to 115 dB | Red |
| TCB-0018 | 100-240 VAC | 3 Stage alarm with 63 Selectable tones | Up to 115 dB | Red |

IP Rating: IP66/67 **Operating Temp:** -40°C to +70°C **Construction:** Glass Reinforced Plastic **Cable Entries:** 4 x M20, M25, 1/2"NPT, 3/4"NPT **Weight:** 5.4kg

EXD Beacon

The EXD Beacon range has been approved for use in potentially explosive atmospheres and very harsh environmental conditions.

These beacons have a choice of two types of light source: either Xenon (strobe) with multiple flash rate and power ratings or an LED array with three status type indication options and two power ratings. The design allows for termination inside the enclosure.

The units also have the ability to be fitted with a telephone initiation function and can be used as the second ring output indicator for telephones when installed in very noisy environments.

Features

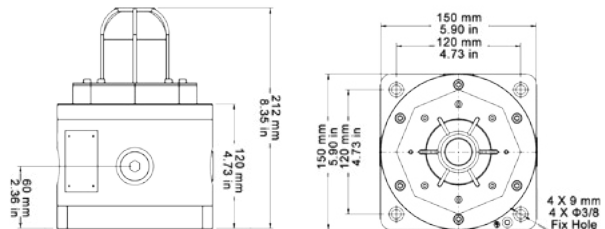
- Approved by ATEX and CQST • IMETRO and IECEx (Pending)
- ATEX: II 2G Exd IIC T4 - T6 (Incorporating IIA & IIB)
- Zones 1&2, Zones 21&22 (Pending)
- Conforms to EN (IEC) 60079-0 EN (IEC) 60079-1 and EN54
- 360 degree light output around the vertical axis
- Dustproof & Weatherproof

Approvals & Conformities



Applications

Oil and Gas, On-shore and Offshore, Chemical, Petrochemical, Refineries & Marine locations etc.



Specifications

| Part No. | Voltage (50/60Hz) | Beacon Type | Body Colour | Lens Colour |
|----------|-------------------|-------------|-------------|-------------|
| TCB-0001 | 12-48 VDC | 5J Xenon | Red | Amber Lens |
| TCB-0002 | 100-240 VAC | 5J Xenon | Red | Amber Lens |
| TCB-0003 | 12-48 VDC | 5J Xenon | Red | Red Lens |
| TCB-0004 | 100-240 VAC | 5J Xenon | Red | Red Lens |
| TCB-0005 | 12-48 VDC | 10J Xenon | Red | Amber Lens |
| TCB-0006 | 100-240 VAC | 10J Xenon | Red | Amber Lens |
| TCB-0007 | 12-48 VDC | 10J Xenon | Red | Red Lens |
| TCB-0008 | 100-240 VAC | 10J Xenon | Red | Red Lens |
| TCB-0009 | 12-48 VDC | 20J Xenon | Red | Amber Lens |
| TCB-0010 | 100-240 VAC | 20J Xenon | Red | Amber Lens |
| TCB-0011 | 12-48 VDC | 20J Xenon | Red | Red Lens |
| TCB-0012 | 100-240 VAC | 20J Xenon | Red | Red Lens |
| TCB-0013 | 12-48 VDC | 5W LED | Red | Amber Lens |
| TCB-0014 | 100-240 VAC | 10W LED | Red | Amber Lens |
| TCB-0015 | 12-48 VDC | 5W LED | Red | Red Lens |
| TCB-0016 | 100-240 VAC | 10W LED | Red | Red Lens |

IP Rating: IP66/67 **Operating Temp:** -40°C to +70°C **Construction:** Glass Reinforced Plastic **Cable Entries:** 4 x M20, M25, 1/2"NPT, 3/4"NPT
Weight: 3.8kg

Hazardous Area Equipment

EXD Sounder Beacon

The EXD Sounder Beacon range has been approved for use in potentially explosive atmospheres and very harsh environmental conditions.

The unit incorporates a four stage alarm option with sixty three tones to choose from which includes four tones that can be recorded or customised by the installer.

All tones can be pre-set during installation. In addition, the unit also incorporates a visual warning signal with a choice of two types of light source: either xenon (strobe) with multiple flash rates and power ratings or an LED array with three status type indication options.

The units also have the ability to be fitted with a telephone initiation function and can be used as the second ring output indicator for telephones when installed in very noisy environments.

The design allows for termination inside the enclosure. The unit can be bracket mounted only.

Features

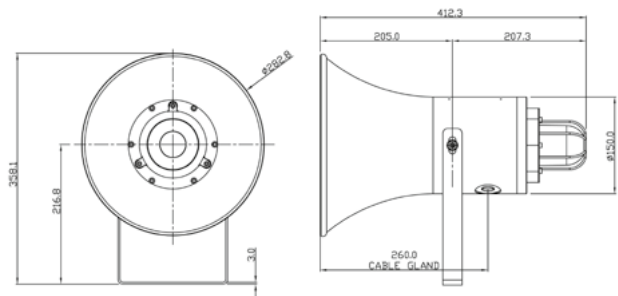
- Approved by ATEX and CQST • IMETRO and IECEX (Pending)
- ATEX: II 2G Exd IIC T4 - T6 (incorporating IIA & IIB)
- Zones 1&2, Zones 21&22 (Pending)
- Conforms to EN (IEC) 60079-0 EN (IEC) 60079-1 and EN54
- 360 degree light output around the vertical axis
- Volume control
- Dustproof & Weatherproof

Approvals & Conformities



Applications

Oil and Gas, On-shore and Offshore, Chemical, Petrochemical, Refineries & Marine locations etc.



Specifications

| Part No. | Voltage (50/60Hz) | Beacon Type | Selectable Tones | Sound Output at 1m | Lens Colour |
|----------|-------------------|-------------|------------------|--------------------|-------------|
| TCB-0019 | 12-48 VDC | 5J Xenon | 63 | Up to 115 dB | Amber Lens |
| TCB-0020 | 100-240 VAC | 5J Xenon | 63 | Up to 115 dB | Amber Lens |
| TCB-0021 | 12-48 VDC | 5J Xenon | 63 | Up to 115 dB | Red Lens |
| TCB-0022 | 100-240 VAC | 5J Xenon | 63 | Up to 115 dB | Red Lens |
| TCB-0023 | 12-48 VDC | 10J Xenon | 63 | Up to 115 dB | Amber Lens |
| TCB-0024 | 100-240 VAC | 10J Xenon | 63 | Up to 115 dB | Amber Lens |
| TCB-0025 | 12-48 VDC | 10J Xenon | 63 | Up to 115 dB | Red Lens |
| TCB-0026 | 100-240 VAC | 10J Xenon | 63 | Up to 115 dB | Red Lens |
| TCB-0027 | 12-48 VDC | 20J Xenon | 63 | Up to 115 dB | Amber Lens |
| TCB-0028 | 100-240 VAC | 20J Xenon | 63 | Up to 115 dB | Amber Lens |
| TCB-0029 | 12-48 VDC | 20J Xenon | 63 | Up to 115 dB | Red Lens |
| TCB-0030 | 100-240 VAC | 20J Xenon | 63 | Up to 115 dB | Red Lens |
| TCB-0031 | 12-48 VDC | 5W LED | 63 | Up to 115 dB | Amber Lens |
| TCB-0032 | 100-240 VAC | 10W LED | 63 | Up to 115 dB | Amber Lens |
| TCB-0033 | 12-48 VDC | 5W LED | 63 | Up to 115 dB | Red Lens |
| TCB-0034 | 100-240 VAC | 10W LED | 63 | Up to 115 dB | Red Lens |

IP Rating: IP66/67 **Operating Temp:** -40°C to +70°C **Construction:** Glass Reinforced Plastic **Cable Entries:** 4 x M20, M25, 1/2"NPT, 3/4"NPT
Weight: 6.5kg

Hazardous Area Equipment


EXD Bell

The Exd Bell is designed for use in Zone 1 and 2 areas and for areas requiring a high degree of weatherproof protection. IP66 rated and certified to ATEX II 2G Exd e IIC T6, it can be used in almost any environment.

With a sound output of up to 105dB, it provides a clear signal which stands out against background noise. A telephone ringing version is also available.

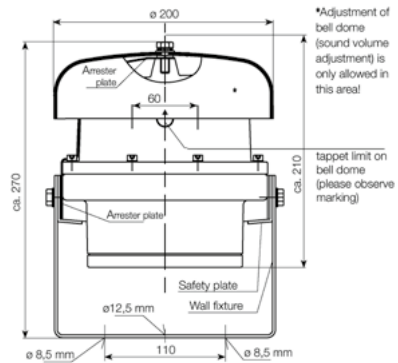
The housing is manufactured from glass fibre reinforced polyester with stainless steel fittings designed to cope in arduous conditions. In addition, all DC versions are equipped with a non-wearing electronic contact breaker which gives a long and reliable life.

Features

- Rated for Category 2 use (formerly Zone 1 & 2)
- ATEX approved
-  II 2G Exd e IIC T6
- Clear audible signal designed to penetrate background noise
- Weatherproof to IP66
- Rugged construction
- Choice of voltages



Applications - General signalling; telephone ringing; fire and process control alarm



Specifications

| Part No. | Colours | Audibility (tone) at 1m (typical) | Tones (Up to) | Voltage (50/60Hz) | Current (tone dependent) |
|----------|------------|-----------------------------------|---------------|-------------------|--------------------------|
| TCA-0002 | Black/grey | Up to 105dB (A) | 1 | 230V AC | 60mA |
| TCA-0003 | Black/grey | Up to 105dB (A) | 1 | 110V AC | 140mA |
| TCA-0004 | Black/grey | Up to 105dB (A) | 1 | 24V DC | 320mA |

IP Rating: IP66 **Operating Temp:** -20°C to +40°C **Construction:** Glass Fibre Reinforced Polyester **Cable Entries:** 1 **Weight:** 3.5kg

Hazardous Area Equipment


EXD Buzzer

The Exd Buzzer is an explosion proof buzzer designed for use in hazardous areas where a distinctive signal is required. Certified to ATEX II 2G Exd e IIC T6, it is suitable for use in Zone 1 and Zone 2 areas.

Producing a tone with low frequency, it cuts through background noise more effectively than many other devices of a similar output.

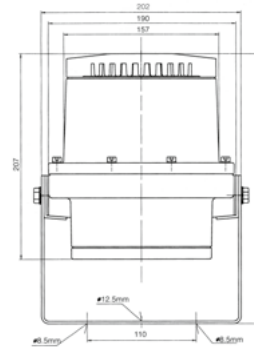
Mounted in a rugged reinforced polyester case and weatherproof to IP66, it is suitable for use in the most arduous conditions.

Features

- Rated for Category 2 use (formerly Zone 1 & 2)
- ATEX approved
-  II 2G Exd e IIC T6
- Heavy duty buzzer
- Weatherproof to IP66
- Rugged construction



Applications - General signalling; evacuation and process control alarm



Specifications

| Part No. | Colours | Audibility (tone) at 1m (typical) | Tones (Up to) | Voltage (50/60Hz) | Current (tone dependent) |
|----------|---------|-----------------------------------|---------------|-------------------|--------------------------|
| TCA-0001 | Black | Up to 105dB (A) | 1 | 230V AC 50Hz | 70mA |
| TCA-0069 | Black | Up to 105dB (A) | 1 | 110V AC 50Hz | 150mA |
| TCA-0005 | Black | Up to 105dB (A) | 1 | 24V DC | 650mA |

IP Rating: IP66 **Operating Temp:** -20°C to +40°C **Construction:** Glass Fibre Reinforced Polyester **Cable Entries:** 1 **Weight:** 3.5kg



Motor Driven Sirens

Robust, high sound output sirens for areas with high background noise and harsh environmental conditions.

Motor Driven Sirens

Mini Mono P

The Mini Mono P is a small motor driven siren designed for fire and general alarm signalling.

Designed for ease of mounting, it has a separate mounting plate which connects to the main body with a bayonet locking action and has a locking screw for additional security.

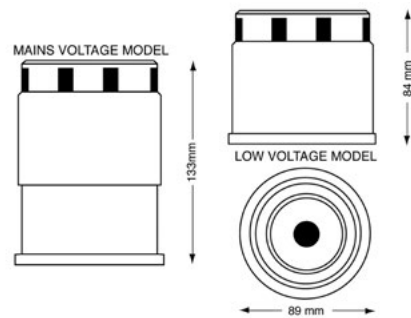
The mounting plate is suitable for surface mounting or for use with a conduit (BESA) box depending on installation requirements.

Features

- High quality siren sound
- Bayonet mounting plate for ease of installation
- Choice of voltages
- Low voltage DC and high voltage AC for use in all applications



Applications - Fire alarm; general purpose alarm; process control; time signalling



Specifications

| Part No. | Colours | Audibility (tone) at 1m (typical) | Tones (Up to) | Voltage | Current |
|----------|---------|-----------------------------------|---------------|-------------|----------|
| SLE-0002 | Grey | Up to 103dB (A) | 1 | 24V DC | 500mA |
| SLE-0004 | Grey | Up to 103dB (A) | 1 | 110/230V AC | 130/90mA |

IP Rating: IP44 **Rating:** Continuous **Frequency:** 1000Hz **Operating Temp:** -30°C to +55°C

Construction: High Impact ABS **Cable Entries:** 1 **Weight:** Mini Mono P (DC) 0.2kg; Mini Mono P (AC) 0.5kg

Motor Driven Sirens

Mono 72

The Mono 72 is a powerful motor driven siren which produces a clear, high output siren sound.

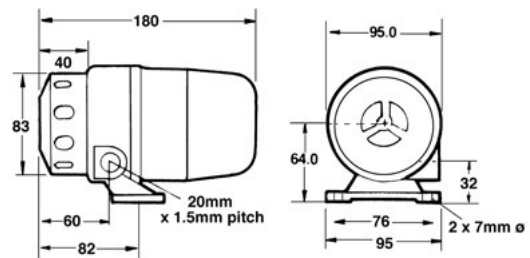
With its weatherproof design, the Mono 72 can be used both indoors and outdoors for general safety warning.

Features

- High output siren sound (120dB)
- Rugged construction for use in all environments
- Weatherproof to IP65
- Mounting bracket for ease of installation



Applications - General safety warning; conveyors; process control alarm; vehicle alarm



Specifications

| Part No. | Colours | Audibility (tone) at 1m (typical) | Tones (Up to) | Voltage (50/60Hz) | Current |
|----------|-----------|-----------------------------------|---------------|-------------------|---------|
| SLA-0001 | Red/Black | Up to 120 dB (A) | 1 | 110V AC | 1.2A |
| SLA-0002 | Red/Black | Up to 120 dB (A) | 1 | 230V AC | 0.6A |

IP Rating: IP65 **Rated Operating Duration:** 15mins On/120mins Off **Frequency:** 1800Hz **Operating Temp:** -30°C to +40°C
Construction: Cast Aluminium Body, ABS Rotor, Stator and Cover **Cable Entries:** 1 **Weight:** 1.7kg

Motor Driven Sirens

Duplo

The Duplo is a powerful motor driven siren which produces a very high sound output despite its physically compact construction.

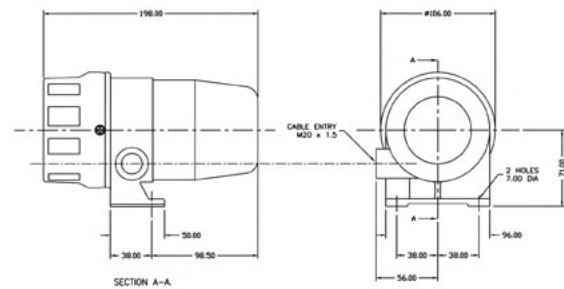
With its weatherproof design, the Duplo can be used both indoors and outdoors for general safety warning.

Features

- High output siren sound (127dB)
- Rugged construction for use in all environments
- Weatherproof to IP65A
- Mounting bracket for ease of installation



Applications - General safety warning; conveyors; process control alarm; vehicle alarm



Specifications

| Part No. | Colours | Audibility (tone) at 1m (typical) | Tones (Up to) | Voltage (50/60Hz) | Current (tone dependent) |
|----------|------------|-----------------------------------|---------------|-------------------|--------------------------|
| SLB-0002 | Grey/Black | Up to 127 dB (A) | 1 | 230V AC | 2.0A |

IP Rating: IP65A **Rated Operating Duration:** 15mins On/120mins Off **Frequency:** 1600Hz **Operating Temp:** -30°C to +40°C
Construction: Cast Aluminium Body, ABS Rotor, Stator and Cover **Cable Entries:** 1 **Weight:** 2kg

Motor Driven Sirens

Super M

The Super M is a powerful motor driven siren which emits a very high sound output. Designed for surface mounting, it has a separate mounting bracket which may be secured in position first to allow for easy installation. In addition, it comes pre-wired with 1 metre of cable.

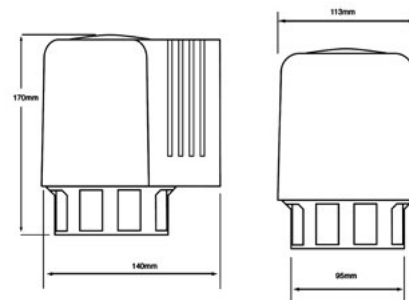
The Super M is ideal for applications where a higher sound output is required such as in areas of high background noise.

Features

- High output siren sound (127dB)
- Separate mounting bracket for easy installation



Applications - General safety warning; conveyors; process control alarm; vehicle alarm



Specifications

| Part No. | Colours | Audibility (tone) at 1m (typical) | Tones (Up to) | Voltage (50/60Hz) | Current (tone dependent) |
|----------|---------|-----------------------------------|---------------|-------------------|--------------------------|
| SLD-0001 | Yellow | Up to 127 dB (A) | 1 | 110V AC | 3.4A |
| SLD-0002 | Yellow | Up to 127 dB (A) | 1 | 230V AC | 2.0A |

IP Rating: IP21A **Rated Operating Duration:** 15mins On/120mins Off **Frequency:** 1600Hz **Operating Temp:** -30°C to +40°C
Construction: ABS **Cable Entries:** 1 **Weight:** 1.8kg

Motor Driven Sirens

SO4

The SO4 is a weatherproof motor driven siren designed for vertical mounting and designed for outdoor warning over small/medium areas.

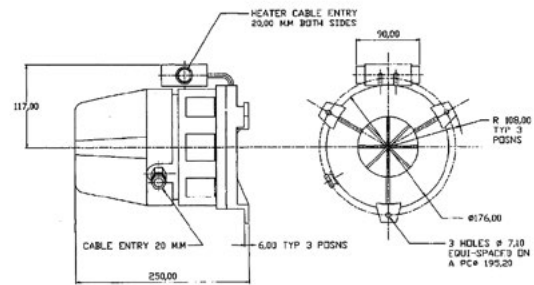
Manufactured from cast aluminium, it is rugged in construction, has a continuous rating and is built for a long life outdoors.

Features

- High sound output (up to 125dB)
- Powerful low frequency sound
- Weatherproof to IP55
- Vertical siren for easy mounting
- Low voltage DC and high voltage AC variants



Applications - Fire alarm; security alarm; general safety warning; conveyors; process control alarm; vehicle alarm



Specifications

| Part No. | Colours | Audibility (tone) at 1m (typical) | Tones (Up to) | Voltage (50/60Hz) | Current (tone dependent) |
|----------|---------|-----------------------------------|---------------|-------------------|--------------------------|
| SLC-0002 | Grey | Up to 125 dB (A) | 1 | 230V AC/DC | 1.4A(AC)/1.2A(DC) |

IP Rating: IP55 **Rating:** Continuous **Frequency:** 900Hz **Operating Temp:** -30°C to +45°C
Construction: Cast Aluminium Body **Cable Entries:** 1 **Weight:** 4.5kg



Hand Operated Sirens

Designed to provide warning in applications where there is no power supply.

Hand Operated Sirens

Lightweight Hand Operated Siren

The lightweight hand operated siren is designed to provide effective warning in applications where there is no power supply such as camp sites, civil defence, mountain rescue and coast guard warning.

The siren is lightweight, can be easily transported to remote locations and folds up to a small and compact size for ease of handling.

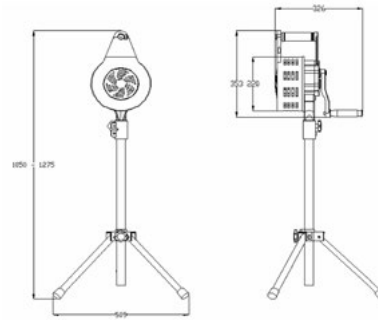
This model comes complete with carry case, making it the ideal choice where portability is crucial.

Features

- No power supply required
- Lightweight model for portability
- Powerful low frequency sound
- Universally recognised signal
- Carry case included
- 2 tones: continuous and warble
- 116 dB @ 1 metre



Applications - Camp sites; civil defence; mountain rescue; coast guard warning; quarries/ mining



Maximum dimensions
 Stand height: max 1m, min 0.6m
 When folded: height 0.2m, base tripod 0.03m x 0.03m x 0.03m

Specifications

| Part No. | Colours | Audibility (tone) at 1m (typical) | Tones (Up to) |
|----------|---------|-----------------------------------|---------------|
| SLF-0001 | Black | Up to 116dB (A) | 2 |

IP Rating: N/A **Rating:** Continuous **Frequency:** 600Hz Nominal (Dependent on Rotation Speed) **Dimensions:** See Diagram **Weight:** 4kg

Hand Operated Sirens

Heavy Duty Hand Operated Siren

The heavy duty hand operated siren is designed to provide effective warning in applications where there is no power supply such as camp sites, civil defence, mountain rescue and coast guard warning.

Powered by rotating the handle, this siren has a plate to shut off the sound once up to speed giving it the ability to produce three different tones

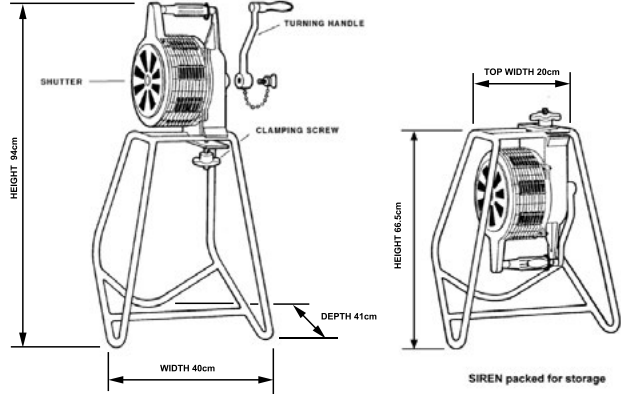
Robust and compact, the siren can be easily transported to remote locations and folds up to a small size for ease of handling.

Features

- No power supply required
- Robust and compact for portability
- Powerful low frequency sound
- Universally recognised signal
- Shutter mechanism to provide three or more signals
- 120 dB @ 1 metre



Applications - Camp sites; civil defence; mountain rescue; coast guard warning; quarries/ mining



Specifications

| Part No. | Colours | Audibility (tone) at 1m (typical) | Tones (Up to) |
|----------|---------|-----------------------------------|---------------|
| SLF-0008 | Grey | Up to 120dB (A) | 3+ |

IP Rating: N/A **Rating:** Continuous **Frequency:** 400Hz Nominal (Dependent on Rotation Speed) **Dimensions:** See Diagram **Weight:** 11kg

Klaxon Signals is a brand of Texecom Ltd

www.klaxonsignals.com

Tel: +44 (0)1706 233879

Texecom Ltd
St Crispin Way
Haslingden
Lancashire
BB4 4PW
England

klaxon[®]